

Hi, I'm
Harriet.



TALKING HISTORY

with

Harriet & Roxanne™

**Black Men Inventors
of the 19th Century**

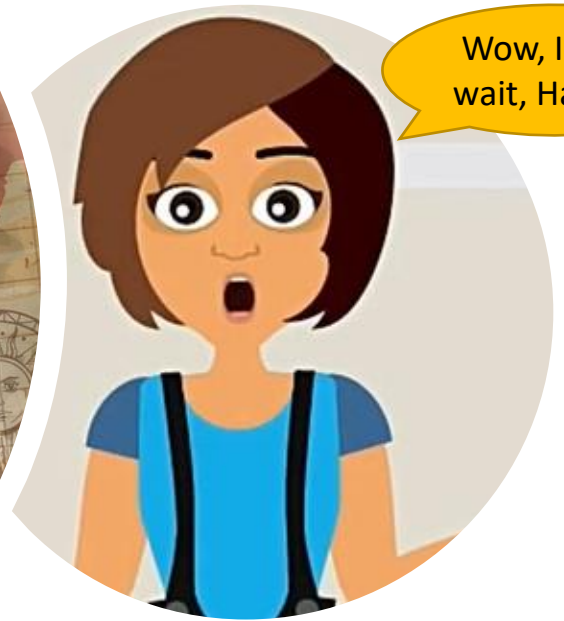
And I'm
Roxanne.
Join us for...



Today, I am going to bring you stories about black inventors who changed America.



Wow, I can't wait, Harriet!



Thousands of black inventors were problem-solvers and made our country better. Today, we will share a few inventors to encourage our children to achieve their potential.



Let's share a few inventors even before 1900 to help Imani know her history!

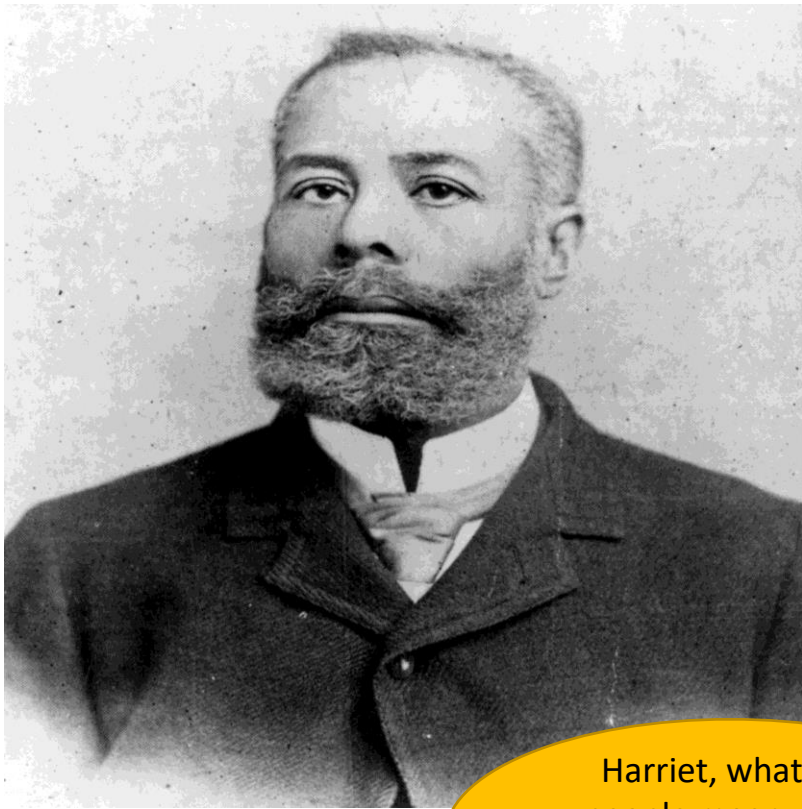
Roxanne, did you know by 1913 the U.S. Patent Office listed 1200 inventions by black inventors?

Roxanne, did you know by 1913 the U.S. Patent Office listed 1200 inventions by black inventors?

Astonishing!

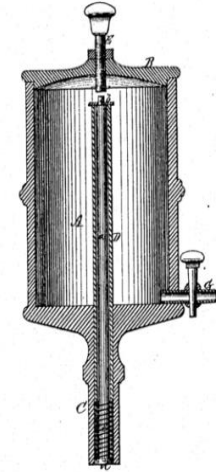
That would be amazing for Imani, and, for me too!





Elijah McCoy invented the improvement in **Lubricators for Steam-Engines in 1872** that automatically oiled moving parts on steam engines. This invention helped the railroad industry travel farther without stopping to oil the moving parts. Other patents on lubricators improvements were granted to Elijah in 1874, 1876, 1882, 1883, 1885, 1887, 1889, 1891, 1892, & 1893.

E. McCOY.
Improvement in Lubricators for Steam-Engines.
No. 129,843. Patented July 23, 1872.

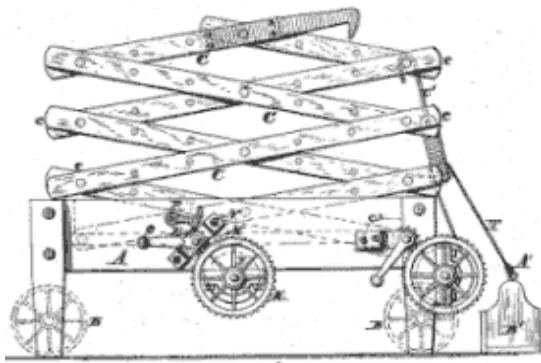


Harriet, what did people mean when they asked for the “real McCoy”

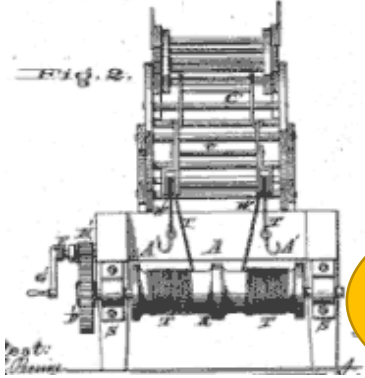


It was smart that McCoy patented his inventions because everyone tried to copy them. But people wanted and trusted the “real McCoy”





In the late 1800s, buildings were built taller, and Joseph R. Winters noticed that firemen could not reach the taller floors. Firemen carried ladders on their horse-drawn wagons, but they were regular ladders. In 1878, Joseph W. Winters received a patent for his collapsible ladder invention to rescue people from burning buildings and to help firefighters climb higher with fire hoses. In 1882, he patented a fire escape that could be attached to buildings.



Harriet, why couldn't they just put a very long ladder on the wagon?



They wouldn't be able to turn corners on narrow streets.

So, Joseph thought it would be wiser to have a collapsible ladder mounted on the fire engine.

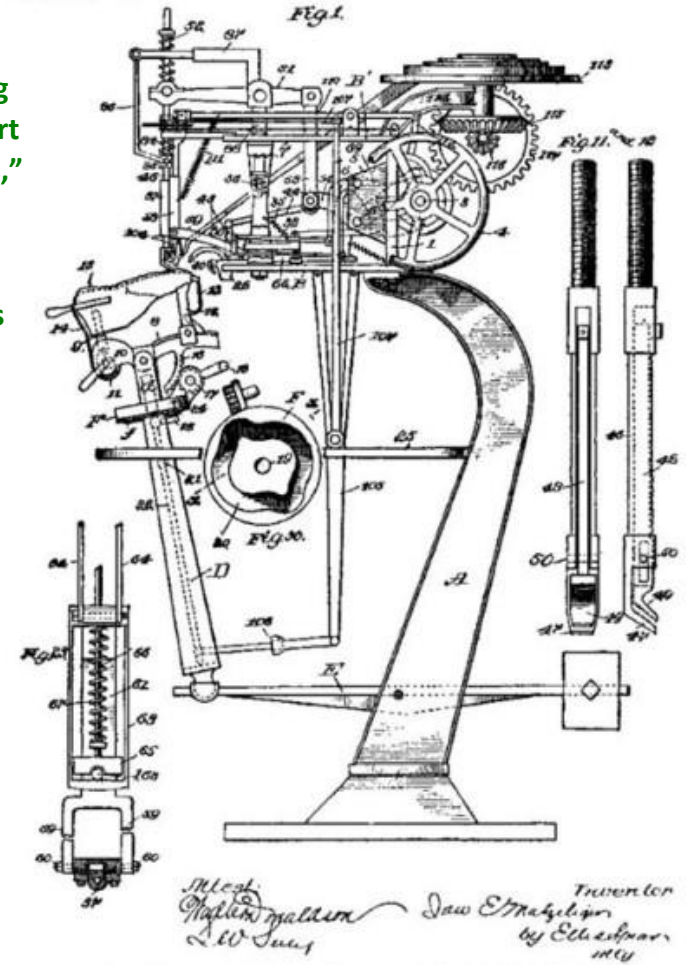




Jan Matzeliger's mother was a house slave, and his father was Dutch. At ten, Jan demonstrated a natural **aptitude** for machinery and mechanics. He began working as a **cobbler**. At the time, it was thought that the only way to attach the upper part of the shoe to the sole was by hand as a "shoe **laster**." Jan watched these "lasters," and at night he sketched out rough drawings to develop a machine that could imitate the hand lasters' movements.

After five years of work, Jan applied for a **patent** for his machine. Jan obtained his patent in **1883** for his **Lasting Machine**.

J. E. MATZELIGER
LASTING MACHINE
No.274. 207
PATENTED MAR. 20, 1883



The shoe laster machine produced more than 700 pairs of shoes in a day. Before, only 50 pairs could be produced by hand in a day.

Did this make shoes cheaper?



Yes!



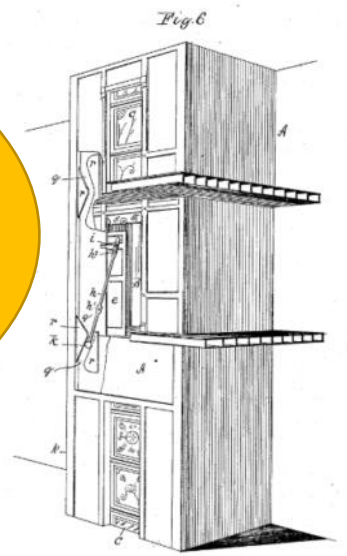
What did Alexander Miles invent?

Wow! He saved lives with his invention.

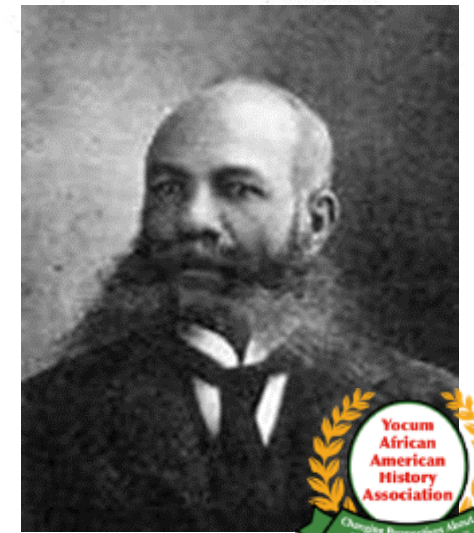


Alexander improved the safety of elevators with an automatic opening & closing door when the elevator reach each floor. Many accidents happened when people forgot to close the elevator door. People fell down the elevator shaft.

(No Model.) 3 Sheets—Sheet 2.
A. MILES.
ELEVATOR.
No. 371,207. Patented Oct. 11, 1887.



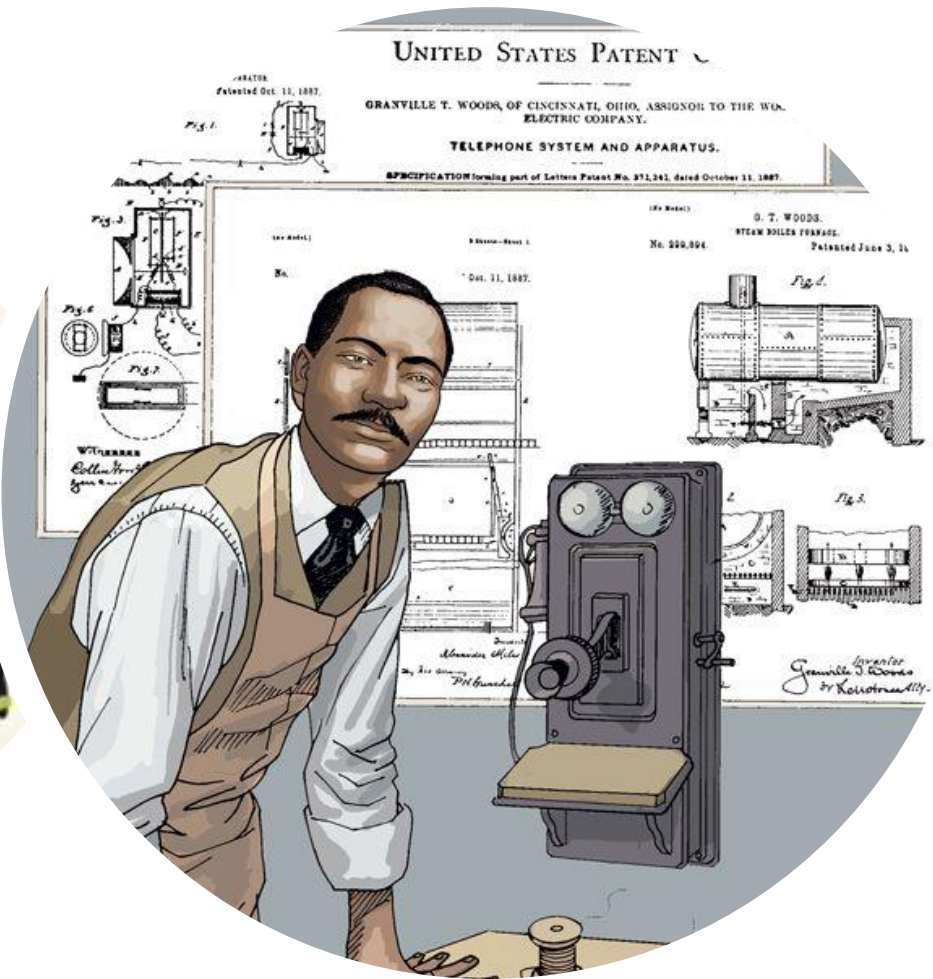
Witnesses
James J. James
Inventor
Alexander Miles
By His Attorney
A. H. Sumner



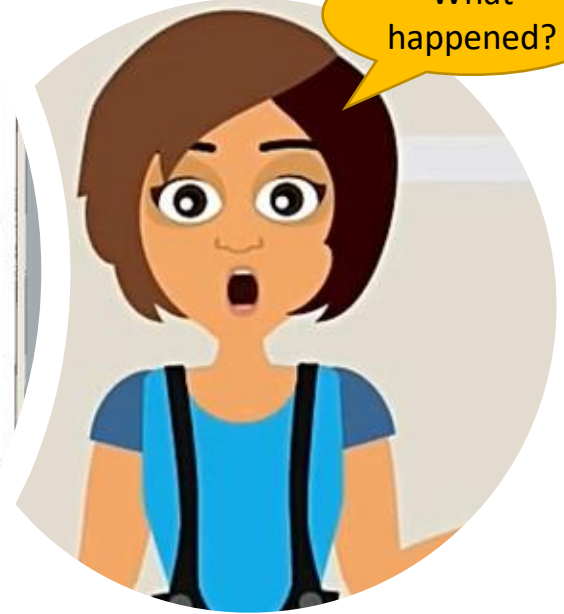
Roxanne, did you know that Granville won two lawsuits challenged by Thomas Edison?



Edison tried to take Granville's idea as his own, but Woods was awarded the patent in 1887. Edison then offered Granville a job, but he refused it.

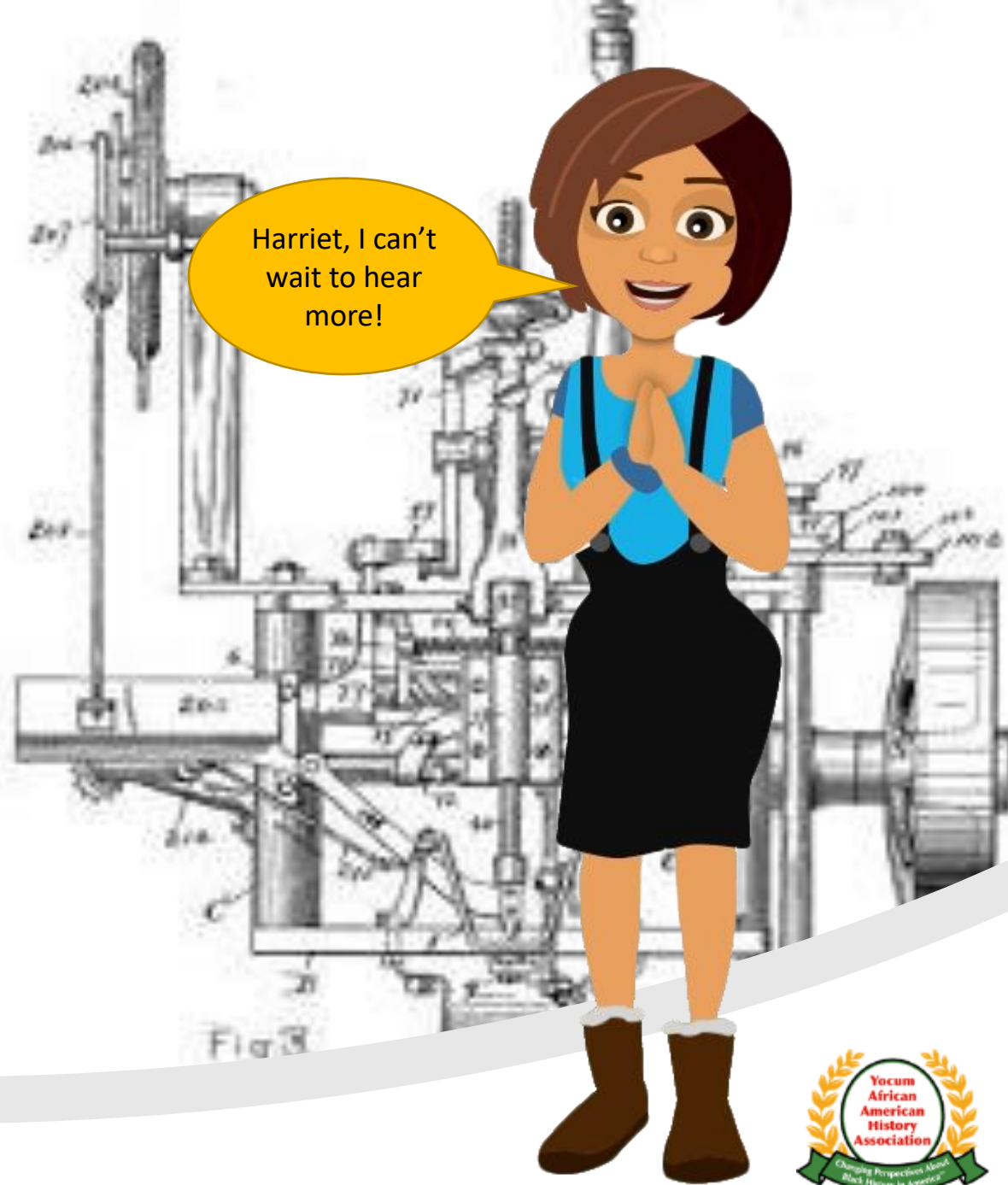
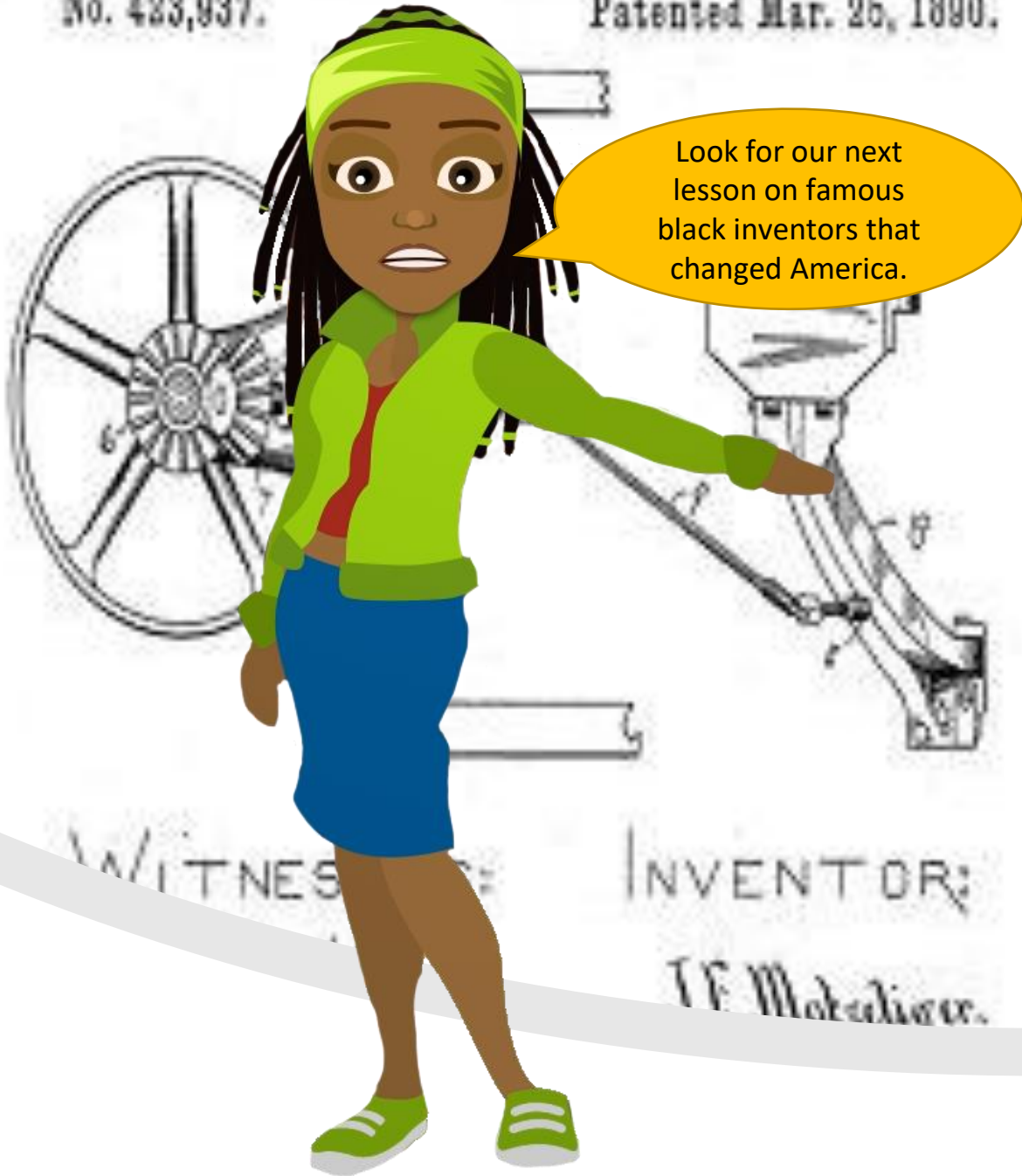


What happened?



Granville T. Woods was born in 1856 in Columbus, Ohio. He was known as the “Black Thomas Edison.” He spent his early years in school until the age of 10 and was a self-taught mechanical and electrical engineer. He received more than 50 patents for his varied work, and inventors such as Thomas Edison tried to claim some of his work. Granville received a patent for his invention **Induction Telegraph System** in 1887.

YACK SEPARATING AND DISTRIBUTING MECHANISM,
No. 423,937. Patented Mar. 26, 1890.







Help us keep educating America about black history. To keep this information coming, consider supporting us by donating at <https://www.yocumblackhistory.org/donate/>

