

Hi, I'm  
Harriet.



# TALKING HISTORY


with

**Harriet and Roxanne™**

**Field Trip to the National Inventors  
Hall of Fame**

And I'm  
Roxanne.  
Join us for...





Roxanne, today we will take students on a field trip to the National Inventors Hall of Fame and learn about three black inventor inductees for 2022.

Would like you to meet our students?

I sure would, Harriet!

Roxanne, I would like to introduce you to Angela, Jamal, and Drew.

Welcome!

Hi.

What's happening?

What's up?



Kids, here are three inductees for 2022 at the museum that we will learn about. Do you want to know what they invented?

Yes, I would!



**Dr. Marian Croak**

**Lonnie Johnson**

**Dr. Patricia Bath**

Did Mr. Johnson invent a water gun?

What?

Yes, Mr. Lonnie Johnson  
invented the popular  
super soaker water gun.  
I'll tell you more about  
Mr. Johnson when we get  
to the museum.

Wow!

Harriet, tell us what  
the other inventors  
did to get into the  
National Inventors Hall  
of Fame.



Dr. Marian Croak

Lonnie Johnson

Dr. Patricia Bath



Dr. Marian Croak developed VoIP (Voice over Internet Protocol), which converts voice data to digital signals over the internet rather than using traditional phone lines. Dr. Croak's work furthered audio & visual conferencing.

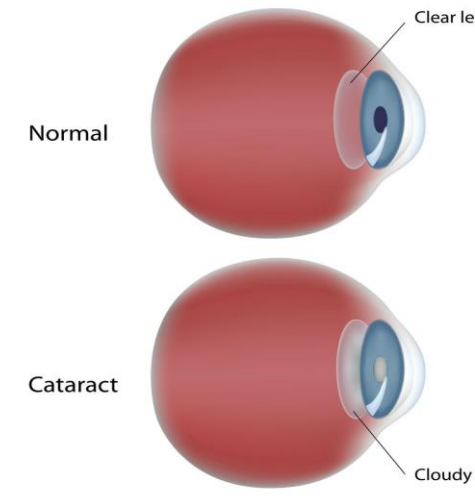
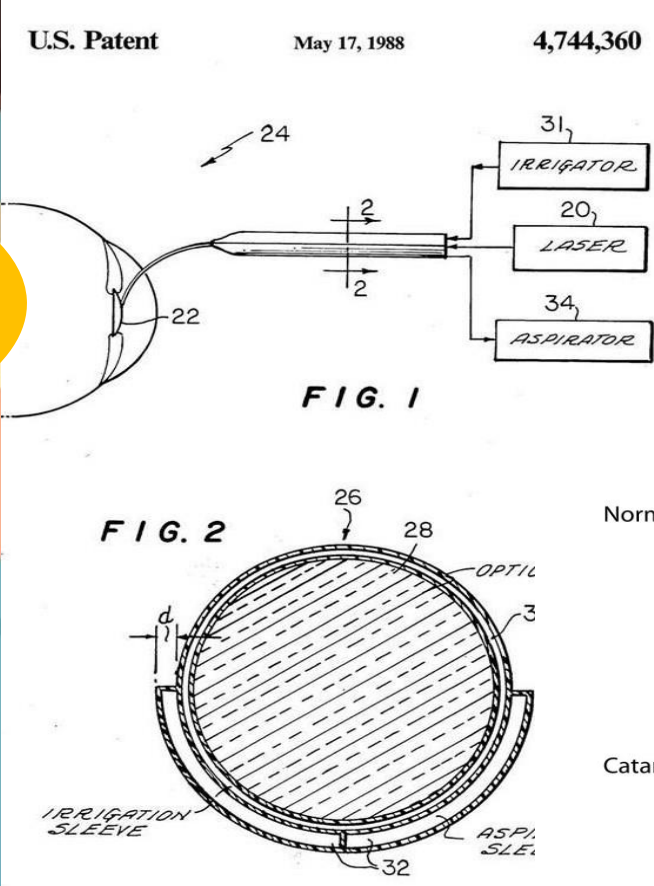
Dr. Patricia Bath invented a new device to remove cataracts.

What are cataracts?




Drew, a cataract is a cloudy lens on the eye that affects a person's ability to see. Dr. Bath created a device to safely remove the cloudy lens so people could see more clearly.

That's Awesome!





An illustration of a classroom. On the left, a girl with short brown hair, wearing a blue shirt and black overalls, stands with her hands on her hips. On the right, a boy with curly brown hair and yellow glasses, wearing a yellow shirt over a green t-shirt, stands with his hands on his hips. In the background, there is a bookshelf with books, a globe, and a bulletin board with several papers pinned to it. A door is visible in the center background. A yellow speech bubble is positioned above the girl, and another yellow speech bubble is positioned above the boy.

Harriet, let's go! The bus is waiting. Jamal wants you to explain Dr. Marian Croak's invention when we get to the National Inventors Hall of Fame.

I'm excited!






Are we all ready to go?

How long will it take to get there?



Kids, I want to ensure that we are on our best behavior. Please only touch the displays that are hands-on; keep your hands to yourself and be respectful.

Listen up!

 National Inventors  
Hall of Fame

CELEBRATING BLACK HISTORY

OK, I'm Ready!





Angela, this is Lonnie Johnson, who invented the super soaker water gun. He is a nuclear engineer who was looking for an environmental replacement for freon and used water instead.

While experimenting, he shot water across the room with his device and accidentally created a toy water gun.

Wow!







The super soaker has had more than a billion dollars in sales. Mr. Johnson went on to create his own company and was a 2022 inductee into the National Inventors Hall of Fame.



What an amazing story!



Harriet, thank you for sharing this information. It shows that sometimes when solving one problem, another invention is found.

Who's next?

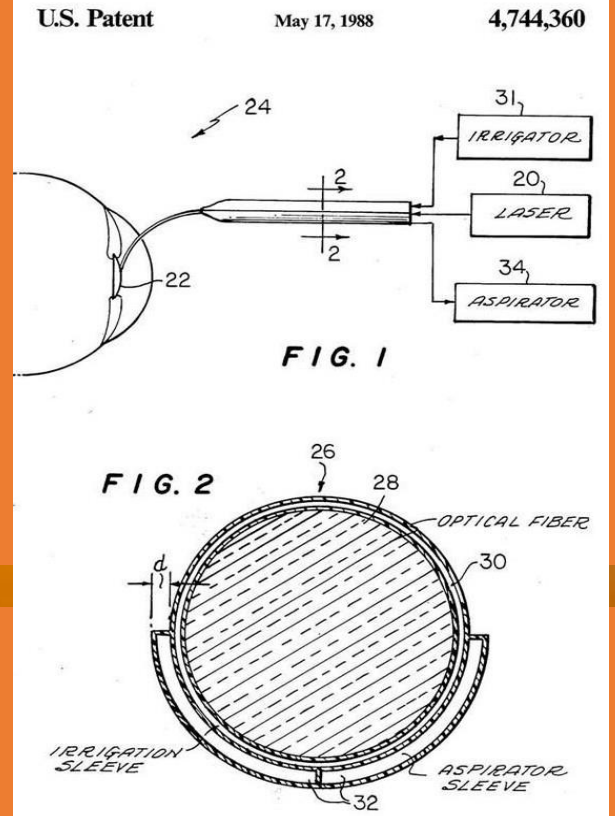




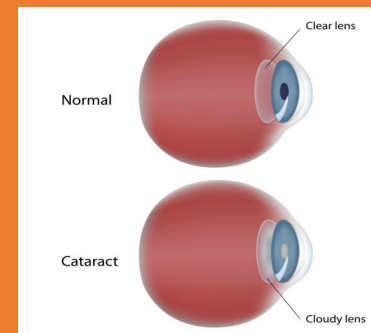
Ophthalmologist Dr. Patricia Bath was a graduate of Howard University medical school. She was the first black to receive a medical patent for a laser device to remove cataracts. She is one of three black inventor inductees to this museum for 2022. Her invention was more accurate than previous devices.



Dr. Patricia Bath



Cataract Laserphaco Probe







Harriet, please explain to Jamal about Dr. Croak's invention



Sure. Dr. Croak's VoIP (Voice over Internet Protocol) created a way for people to talk over the internet. In addition, it furthered the ability of audio and video conferencing that we use today.





OK, everyone, it's time to get back to the classroom. As we ride the bus back to the school, I want you to think about what you liked best at the National Inventors Hall of Fame and tell us when we get back to the classroom.

I can't wait!

I know exactly what I liked.



National Inventors Hall of Fame

CELEBRATING BLACK HISTORY







I am proud that three black scientists were included in the National Inventors Hall of Fame!

I thought that as a nuclear engineer, it was very cool that Mr. Johnson would invent the super soaker. That was awesome!



What did you like best?



I love talking to my friends on the internet, so I loved Dr. Croak's VoIP invention.

My mother had to have cataract surgery, so I am very happy that Dr. Bath invented the Cataract Laserphoco Probe.







Help us keep educating America about black history. To keep this information coming, consider supporting us by donating at

<https://www.yocumblackhistory.org/donate/>

